



Intelligent Data Collection Limited Lower Lansdown LN Baseline Monitoring

Client: Bath & North East Somerset Council
Project Number: ID07242
Site Number: Site 6
Date of Survey: 15.11.2023-21.11.2023
Site Name: Brock Street
Survey Type: Multi-day Link Count

Quality Assurance and Issue Record



Quality Assurance

Revision	Rev A			
Date	19.12.2023			
Prepared by				
Signature				
Checked by				
Signature				
Project Director				
Signature				
Project Number	ID07242			
File Ref	ID07242 Lower Lansdown LN Baseline Monitoring - Link Count Site 6			

Issue Record

Issued to	Date			
	19.12.2023			
	E-mail			

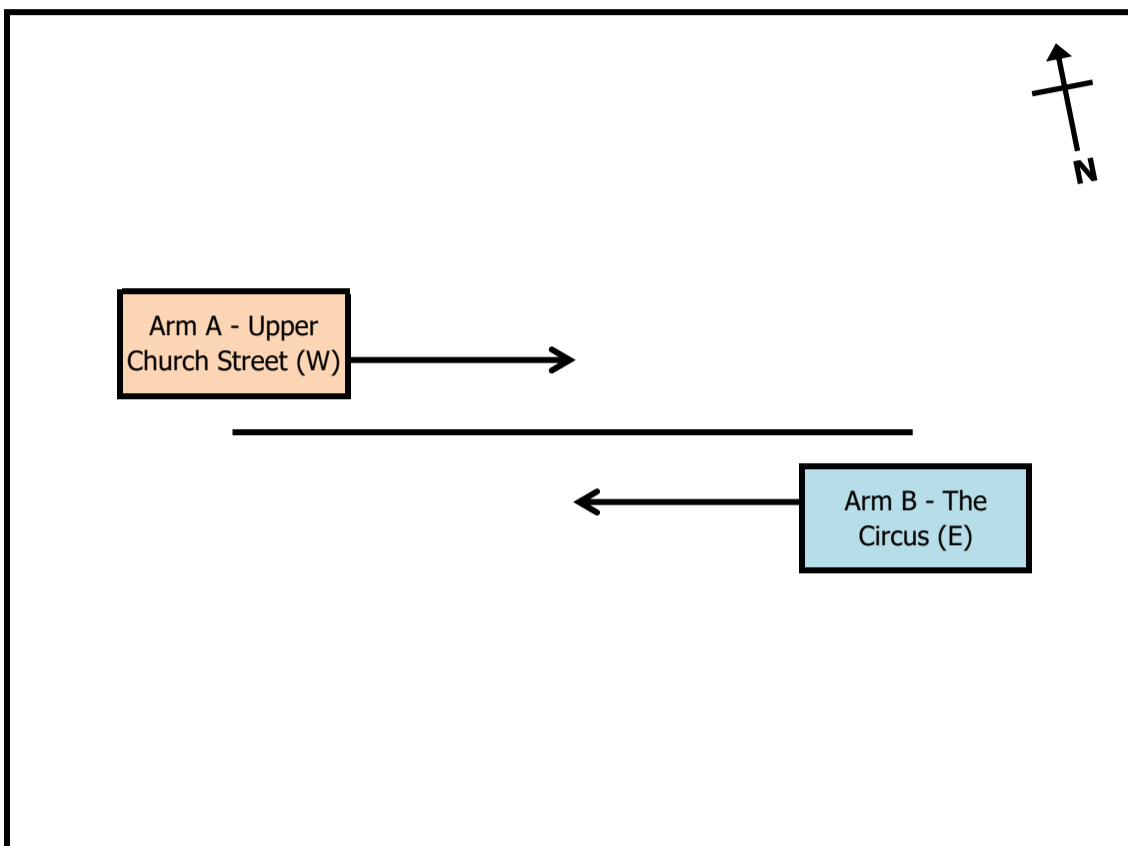
Intelligent Data Collection Limited



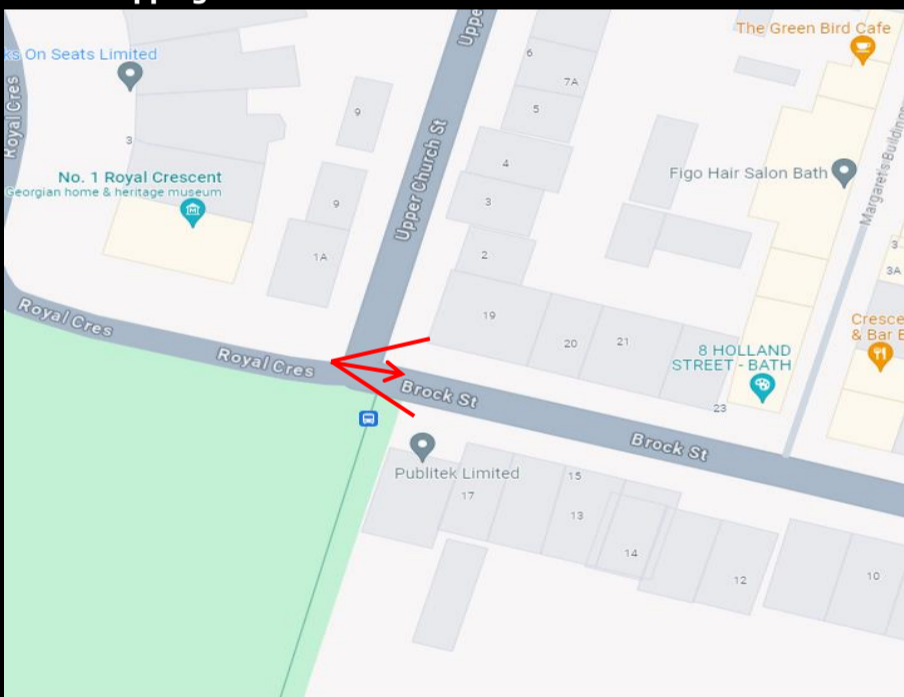
Client:	Bath & North East Somerset	Date of Survey:	15.11.2023-21.11.2023
Project Number:	ID07242	Site Name:	Brock Street
Site Number:	Site 6	Survey Type:	Multi-day Link Count

X Coordinate	Y Coordinate	Google Maps Link
51.386390	-2.366509	Click Here

Junction Layout



Aerial Mapping and On-site Camera View



Additional Notes (Factors which may impact on survey results such as accidents, roadworks, special events):

During hours of darkness, light vehicle classifications may not be 100% accurate. As a result, some LGVs may be reported as cars.

Intelligent Data Collection Limited

Client: Bath & North East Somerset Council
Project Number: ID07/242
Site Number: Site 6

Dates of Survey: 15.11.2023
Site Name: Brock Street
Survey Type: Multi-day Link Count

Arm A: Upper Church Street (W)
Arm B: The Circus (E)



Time	A to B (Eastbound)						B to A (Westbound)						Two-way Total												
	Cars	LGV	OGV1	OGV2	Buses	M/C	Cycle	Total	Cars	LGV	OGV1	OGV2	Buses	M/C	Cycle	Total	Cars	LGV	OGV1	OGV2	Buses	M/C	Cycle	Total	
00:00	1	0	0	0	0	0	0	1	0	0	0	0	0	0	0	1	1	0	0	0	0	0	0	1	2
00:15	0	0	0	0	0	0	0	0	2	2	0	0	0	0	0	4	2	2	0	0	0	0	0	0	4
00:30	0	0	0	0	0	0	0	0	0	0	0	0	0	0	0	0	0	0	0	0	0	0	0	0	0
00:45	0	0	0	0	0	0	0	0	0	0	0	0	0	0	0	0	0	0	0	0	0	0	0	0	0
01:00	0	0	0	0	0	0	0	0	0	0	0	0	0	0	0	0	0	0	0	0	0	0	0	0	0
01:15	1	0	0	0	0	0	0	1	0	0	0	0	0	0	0	1	1	0	0	0	0	0	0	1	2
01:30	0	0	0	0	0	0	0	0	0	0	0	0	0	0	0	0	0	0	0	0	0	0	0	0	0
01:45	1	0	0	0	0	0	0	1	0	0	0	0	0	0	0	1	1	0	0	0	0	0	0	1	2
02:00	0	0	0	0	0	0	0	0	0	0	0	0	0	0	0	0	0	0	0	0	0	0	0	0	0
02:15	1	0	0	0	0	0	0	1	0	0	0	0	0	0	0	1	1	0	0	0	0	0	0	1	2
02:30	0	0	0	0	0	0	0	0	0	0	0	0	0	0	0	0	0	0	0	0	0	0	0	0	0
02:45	0	0	0	0	0	0	0	0	0	0	0	0	0	0	0	0	0	0	0	0	0	0	0	0	0
03:00	0	0	0	0	0	0	0	0	0	0	0	0	0	0	0	0	0	0	0	0	0	0	0	0	0
03:15	0	1	0	0	0	0	0	1	0	0	0	0	0	0	0	1	1	0	0	0	0	0	0	1	2
03:30	0	0	0	0	0	0	0	0	0	0	0	0	0	0	0	0	0	0	0	0	0	0	0	0	0
03:45	0	0	0	0	0	0	0	0	0	0	0	0	0	0	0	0	0	0	0	0	0	0	0	0	0
04:00	0	0	0	0	0	0	0	0	0	0	0	0	0	0	0	0	0	0	0	0	0	0	0	0	0
04:15	0	0	0	0	0	0	0	0	0	1	0	0	0	0	0	1	1	0	0	0	0	0	0	1	2
04:30	1	0	0	0	0	0	0	1	0	0	0	0	0	0	0	1	1	0	0	0	0	0	0	1	2
04:45	1	0	0	0	0	0	0	1	1	0	0	0	0	0	0	2	2	0	0	0	0	0	0	2	4
05:00	0	0	0	0	0	0	0	0	1	0	0	0	0	0	0	1	1	0	0	0	0	0	0	1	2
05:15	1	2	0	0	0	0	0	3	1	0	0	0	0	0	1	4	4	2	0	0	0	0	0	4	8
05:30	0	0	0	0	0	0	0	0	0	0	0	0	0	0	0	0	0	0	0	0	0	0	0	0	0
05:45	0	0	0	0	0	0	0	0	0	0	0	0	0	0	0	0	0	0	0	0	0	0	0	0	0
06:00	1	0	0	0	0	0	0	1	1	0	0	0	0	0	1	2	2	0	0	0	0	0	0	2	4
06:15	0	0	0	0	0	0	0	0	1	1	0	0	0	0	1	2	2	1	0	0	0	0	0	1	3
06:30	3	0	0	0	0	0	0	3	1	1	0	0	0	0	1	5	5	1	0	0	0	0	0	1	6
06:45	2	0	0	0	0	0	0	2	4	2	1	0	0	0	0	7	7	1	0	0	0	0	0	2	9
07:00	3	1	0	0	0	0	0	4	5	3	0	0	0	0	1	9	9	1	0	0	0	0	0	2	11
07:15	2	0	1	0	0	0	0	3	6	1	0	0	0	0	1	8	8	1	1	0	0	0	0	1	11
07:30	3	1	1	0	0	0	0	5	3	1	0	0	0	0	0	4	6	2	1	0	0	0	0	9	12
07:45	3	4	0	0	0	0	0	7	3	10	0	0	0	0	0	12	12	7	0	0	0	0	0	3	22
08:00	7	1	0	0	0	1	1	10	8	2	0	0	0	0	0	10	15	3	0	0	0	0	1	1	20
08:15	8	0	0	0	0	0	0	2	10	6	3	0	0	0	1	10	14	3	0	0	0	0	1	2	20
08:30	11	0	0	0	0	0	0	3	14	11	2	1	0	0	0	14	22	2	1	0	0	0	0	3	28
08:45	6	1	0	0	0	0	0	2	9	11	3	0	0	0	1	15	17	4	0	0	0	0	0	3	24
09:00	10	5	0	0	0	1	5	21	13	4	0	0	0	0	1	19	23	9	1	0	0	0	1	6	40
09:15	6	2	0	0	0	0	0	8	8	1	0	0	0	0	1	10	14	3	0	0	0	0	0	2	19
09:30	2	1	0	0	0	1	2	6	8	3	0	0	0	0	1	11	10	4	0	0	0	0	1	2	17
09:45	7	1	1	0	0	1	0	10	8	0	0	0	0	1	9	15	1	1	0	0	0	2	0	1	19
10:00	3	0	1	0	0	0	3	7	4	1	1	0	0	1	7	7	1	2	0	1	0	0	3	14	
10:15	9	1	0	0	0	0	1	11	4	0	0	0	0	0	6	13	1	0	0	0	2	0	0	1	17
10:30	6	3	0	0	0	0	0	9	7	3	0	0	0	0	1	16	18	6	0	0	0	0	0	1	25
10:45	7	3	0	0	0	0	0	10	7	2	0	0	0	1	10	14	5	0	0	0	0	0	1	0	20
11:00	5	5	0	0	0	0	2	12	8	0	1	0	1	0	2	12	13	5	1	0	1	1	0	4	24
11:15	3	5	0	0	0	1	0	9	11	2	1	0	2	0	16	14	7	1	0	2	1	0	1	0	25
11:30	6	0	0	0	0	2	3	11	3	1	0	0	1	0	1	6	9	1	0	0	1	2	4	1	17
11:45	11	4	0	0	0	0	0	15	12	2	0	0	0	0	1	15	23	6	0	0	0	0	0	4	30
12:00	8	1	0	0	0	0	1	10	14	4	0	0	0	0	2	22	5	5	1	0	0	0	1	3	31
12:15	6	3	0	0	0	2	1	12	10	3	0	0	1	0	1	15	16	6	0	0	1	2	2	2	27
12:30	8	0	0	0	0	0	0	8	12	1	0	0	0	0	13	20	1	0	0	0	0	0	0	0	21
12:45	7	0	0	0	0	0	2	9	8	1	0	0	2	0	2	13	15	1	0	0	2	0	4	2	22
13:00	11	2	0	0	0	0	0	13	13	1	0	0	1	0	0	15	24	3	0	0	1	0	0	0	28
13:15	5	1	0	0	0	1	0	7	14	1	0	0	0	1	1	17	19	2	0	0	1	2	0	0	24
13:30	8	2	0	0	0	0	0	10	8	5	0	0	0	0	1	14	14	7	0	0	0	0	0	1	21
13:45	6	3	0	0	0	0	1	10	10	1	0	0	2	1	0	14	16	4	0	0	2	1	1	1	24
14:00	5	1	0	0	0	0	0	6	9	1	0	0	1	0	0	11	14	2	0	0	1	0	0	0	17
14:15	5	0	0	0	0	0	0	5	4	1	1	0	1	0	0	7	9	1	1	0	1	0	0	0	12
14:30	8	2	0	0	0	1	3	14	12	2	0	0	0	0	1	14	20	4	0	0	0	1	3	2	28
14:45	7	0	0	0	0	0	0	7	11	1	0	0	2	0	0	18	18	1	0	0	2	0	0	0	21
15:00	7	2	0	0	0	0	2	11	12	1	0	1	0	0	1	15	19	3	1	0	1	1	0	2	26
15:15	11	0	0	0	0	1	1	13	12	1	0	0	1	0	0	14	23	1	0	0	1	1	1	1	27
15:30	10	0	0	0	0	0	1	11	11	0	0	0	0	0	1	12	21	0	0	0	0	0	0	2	23
15:45	2	0	0	0	0	0	0	2	12	0	0	0	2	0	0	14	14	0	0	0	2	0	0	0	16
16:00	7	1	0	0	0	0	0	8	14	2	0	0	0	0	1	17	21	3	0	0	0	0	0	1	25
16:15	4	2	0	0	0	0	0	6	10	0	0	0	2	0	1	13	14	2	0	0	2	2	0	1	19
16:30	3	2	0	0	0	0	0	5	7	0	0	0	2	0	0	9	10	2	0	0	2	0	0	2	16
16:45	9	2	0	0	0	1	2	14	8	3	0	0	0	0	1	12	17	5	0	0	0	1	3	2	26
17:00	7	2	1	0	0	1	0	11	9	0	1	0	2	1	0	13	16	2	2	0	2	2	0	0	24
17:15	7	1	0	0	0	0	1	9	7	1	0	0	1	1	2	12	14	2	0	0	1	1	3	2	21
17:30	6	0	1	0	0	0	3																		

Intelligent Data Collection Limited

Client: Bath & North East Somerset Council
Project Number: ID07242
Site Number: Site 6

Dates of Survey: 16.11.2023
Site Name: Brock Street
Survey Type: Multi-day Link Count

Arm A: Upper Church Street (W)
Arm B: The Circus (E)



Time	A to B (Eastbound)						B to A (Westbound)						Two-way Total											
	Cars	LGV	OGV1	OGV2	Buses	M/C	Cycle	Total	Cars	LGV	OGV1	OGV2	Buses	M/C	Cycle	Total	Cars	LGV	OGV1	OGV2	Buses	M/C	Cycle	Total
00:00	0	0	0	0	0	0	0	0	0	0	0	0	0	0	0	0	0	0	0	0	0	0	0	0
00:15	0	0	0	0	0	0	0	0	0	0	0	0	0	0	0	0	0	0	0	0	0	0	0	0
00:30	0	0	0	0	0	0	0	0	0	0	0	0	0	0	0	0	0	0	0	0	0	0	0	0
00:45	0	0	0	0	0	0	0	0	0	0	0	0	0	0	0	0	0	0	0	0	0	0	0	0
01:00	0	0	0	0	0	0	0	0	0	0	0	0	0	0	0	0	0	0	0	0	0	0	0	0
01:15	0	0	0	0	0	0	0	0	0	0	0	0	0	0	0	0	0	0	0	0	0	0	0	0
01:30	0	0	0	0	0	0	0	0	0	0	0	0	0	0	0	0	0	0	0	0	0	0	0	0
01:45	0	0	0	0	0	0	0	0	0	0	0	0	0	0	0	0	0	0	0	0	0	0	0	0
02:00	0	0	0	0	0	0	0	0	0	0	0	0	0	0	0	0	0	0	0	0	0	0	0	0
02:15	0	0	0	0	0	0	0	0	0	0	0	0	0	0	0	0	0	0	0	0	0	0	0	0
02:30	0	0	0	0	0	0	0	0	0	0	0	0	0	0	0	0	0	0	0	0	0	0	0	0
02:45	2	0	0	0	0	0	0	2	0	0	0	0	0	0	0	0	2	0	0	0	0	0	0	2
03:00	0	0	0	0	0	0	0	0	0	0	0	0	0	0	0	0	0	0	0	0	0	0	0	0
03:15	0	0	0	0	0	0	0	0	0	0	0	0	0	0	0	0	0	0	0	0	0	0	0	0
03:30	0	0	0	0	0	0	0	0	0	0	0	0	0	0	0	0	0	0	0	0	0	0	0	0
03:45	0	0	0	0	0	0	0	0	0	0	0	0	0	0	0	0	0	0	0	0	0	0	0	0
04:00	0	0	0	0	0	0	0	0	0	0	0	0	0	0	0	0	0	0	0	0	0	0	0	0
04:15	2	3	0	0	0	0	0	5	0	0	0	0	0	0	0	0	2	3	0	0	0	0	0	5
04:30	0	0	0	0	0	0	0	0	0	0	0	0	0	0	0	0	0	0	0	0	0	0	0	0
04:45	0	1	0	0	0	0	0	1	0	0	0	0	0	0	0	0	1	1	0	0	0	0	0	2
05:00	1	0	0	0	0	0	0	1	0	0	0	0	0	0	0	0	1	0	0	0	0	0	0	1
05:15	0	0	0	0	0	0	0	0	0	0	0	0	0	0	0	0	0	0	0	0	0	0	0	0
05:30	0	0	0	0	0	0	0	0	0	0	0	0	0	0	0	0	0	0	0	0	0	0	0	0
05:45	1	0	0	0	0	0	0	1	0	0	0	0	0	0	0	0	1	0	0	0	0	0	0	1
06:00	1	0	0	0	0	0	0	1	0	0	0	0	0	0	0	0	1	0	0	0	0	0	0	1
06:15	0	0	0	0	0	0	0	0	0	0	0	0	0	0	0	0	0	0	0	0	0	0	0	0
06:30	1	0	0	0	0	0	0	1	0	0	0	0	0	0	0	0	1	0	0	0	0	0	0	1
06:45	2	0	0	0	0	0	0	2	0	0	0	0	0	0	0	0	2	0	0	0	0	0	0	2
07:00	3	1	0	0	0	0	0	4	2	0	0	0	0	0	0	0	5	1	0	0	0	0	0	6
07:15	0	0	0	0	0	0	0	0	0	0	0	0	0	0	0	0	0	0	0	0	0	0	0	0
07:30	6	1	0	0	0	0	0	7	6	5	1	0	0	0	0	0	12	6	1	0	0	0	0	19
07:45	6	0	0	0	0	0	0	6	9	2	0	0	0	0	0	0	15	2	0	0	0	0	0	17
08:00	9	2	1	0	0	0	0	12	10	4	0	0	0	0	0	0	14	6	1	0	0	0	0	21
08:15	7	1	0	0	0	0	0	8	11	5	0	0	0	0	0	0	13	6	0	0	0	0	0	19
08:30	8	0	1	0	0	0	0	9	14	2	0	0	0	0	0	0	16	2	1	0	0	0	0	19
08:45	14	2	1	0	0	0	0	17	12	3	1	0	0	0	0	0	20	5	2	0	0	0	0	27
09:00	10	2	1	0	0	0	0	13	15	9	1	0	0	0	0	0	19	3	1	0	0	0	0	23
09:15	14	3	0	0	0	0	0	17	18	2	0	0	0	0	0	0	22	5	0	0	0	0	0	27
09:30	5	1	0	0	0	0	0	6	10	4	0	0	0	0	0	0	14	5	0	0	0	0	0	19
09:45	11	2	0	0	0	0	0	13	15	9	5	0	0	0	0	0	20	7	0	0	0	0	0	27
10:00	12	2	1	0	0	0	0	15	19	1	0	0	0	0	0	0	21	3	1	0	0	0	0	25
10:15	6	1	1	0	0	0	0	8	11	7	0	0	0	0	0	0	14	1	1	0	0	0	0	16
10:30	16	1	0	0	0	0	0	17	7	7	0	0	0	0	0	0	24	8	1	0	0	0	0	33
10:45	7	2	0	0	0	0	0	9	12	5	0	0	0	0	0	0	18	7	0	0	0	0	0	25
11:00	4	1	0	0	0	0	0	5	7	4	0	0	0	0	0	0	11	5	0	0	0	0	0	16
11:15	3	2	0	0	0	0	0	5	5	0	1	0	0	0	0	0	7	2	1	0	0	0	0	10
11:30	10	1	0	0	0	0	0	11	7	3	0	0	0	0	0	0	17	4	0	0	0	0	0	21
11:45	16	3	0	0	0	0	0	19	15	4	1	0	0	0	0	0	23	7	1	0	0	0	0	31
12:00	11	4	0	0	0	0	0	15	16	9	4	1	0	0	0	0	20	8	0	0	0	0	0	28
12:15	8	2	0	0	0	0	0	10	11	5	3	1	0	0	0	0	14	5	1	0	0	0	0	20
12:30	5	2	0	0	0	0	0	7	8	1	0	0	0	0	0	0	11	3	0	0	0	0	0	14
12:45	10	4	0	0	0	0	0	14	14	1	0	0	0	0	0	0	17	5	0	0	0	0	0	22
13:00	5	1	1	0	0	0	0	7	10	4	0	0	0	0	0	0	15	5	1	0	0	0	0	21
13:15	6	2	0	0	0	0	0	8	9	3	0	0	0	0	0	0	11	5	0	0	0	0	0	16
13:30	4	1	0	0	0	0	0	5	6	3	0	0	0	0	0	0	7	2	0	0	0	0	0	9
13:45	9	2	0	0	0	0	0	11	11	4	0	0	0	0	0	0	17	6	0	0	0	0	0	23
14:00	8	4	0	0	0	0	0	12	11	2	0	0	0	0	0	0	14	6	0	0	0	0	0	20
14:15	5	0	0	0	0	0	0	5	8	0	0	0	0	0	0	0	13	0	0	0	0	0	0	13
14:30	8	0	0	0	0	0	0	8	7	2	0	0	0	0	0	0	15	2	0	0	0	0	0	17
14:45	8	0	0	0	0	0	0	8	10	8	1	0	0	0	0	0	16	1	0	0	0	0	0	21
15:00	9	0	0	0	0	0	0	9	5	0	0	0	0	0	0	0	14	0	0	0	0	0	0	14
15:15	9	1	0	0	0	0	0	10	7	1	0	0	0	0	0	0	16	2	0	0	0	0	0	18
15:30	11	0	0	0	0	0	0	11	15	0	0	0	0	0	0	0	26	0	0	0	0	0	0	26
15:45	6	1	0	0	0	0	0	7	7	1	0	0	0	0	0	0	10	2	0	0	0	0	0	12
16:00	5	3	0	0	0	0	0	8	12	1	0	0	0	0	0	0	13	4	0	0	0	0	0	17
16:15	6	1	0	0	0	0	0	7	11	3	0	0	0	0	0	0	16	4	0	0	0	0	0	20
16:30	10	0	0	0	0	0	0	10	7	1	0	0	0	0	0	0	17	1	0	0	0	0	0	18
16:45	10	0	0	0	0	0	0	10	11	0	0	0	0	0	0	0	21	0	0	0	0	0	0	21
17:00	10	1	2	0	0	0	0	13	10	1	1	0	0	0	0	0	18	2	3	0	0	0	0	23
17:15	5	0	0	0	0	0	0	5	15	0	0	0	0	0	0	0	20	0	0	0	0	0	0	20
17:30	12	4	0	0	0	0	0	16	5	2	0	0	0	0	0	0	21	6	0	0	0	0	0	27
17:45	6	1	0	0	0	0	0	7	10	1	0	0	0	0	0	0	13	2	0	0	0	0	0	15
18:00	10	1	0	0	0	0	0	11	15	1	0	0	0	0	0	0	17	2	0	0	0	0	0	19

Intelligent Data Collection Limited

Client: Bath & North East Somerset Council
Project Number: ID07/242
Site Number: Site 6

Dates of Survey: 17.11.2023
Site Name: Brock Street
Survey Type: Multi-day Link Count

Arm A: Upper Church Street (W)
Arm B: The Circus (E)



Time	A to B (Eastbound)						B to A (Westbound)						Two-way Total											
	Cars	LGV	OGV1	OGV2	Buses	M/C	Cycle	Total	Cars	LGV	OGV1	OGV2	Buses	M/C	Cycle	Total	Cars	LGV	OGV1	OGV2	Buses	M/C	Cycle	Total
00:00	1	0	0	0	0	0	0	1	0	0	0	0	0	0	0	0	1	0	0	0	0	0	0	1
00:15	0	0	0	0	0	0	0	0	0	0	0	0	0	0	0	0	0	0	0	0	0	0	0	0
00:30	0	0	0	0	0	0	0	0	0	0	0	0	0	0	0	0	0	0	0	0	0	0	0	0
00:45	0	0	0	0	0	0	0	0	0	0	0	0	0	0	0	0	0	0	0	0	0	0	0	0
01:00	1	1	0	0	0	0	0	2	0	0	0	0	0	0	0	0	1	1	0	0	0	0	0	2
01:15	1	0	0	0	0	0	0	1	0	0	0	0	0	0	0	0	1	0	0	0	0	0	0	1
01:30	1	0	0	0	0	0	0	1	0	0	0	0	0	0	0	0	1	0	0	0	0	0	0	1
01:45	0	0	0	0	0	0	0	0	0	0	0	0	0	0	0	0	0	0	0	0	0	0	0	0
02:00	0	0	0	0	0	0	0	0	0	0	0	0	0	0	0	0	0	0	0	0	0	0	0	0
02:15	0	0	0	0	0	0	0	0	0	0	0	0	0	0	0	0	0	0	0	0	0	0	0	0
02:30	0	0	0	0	0	0	0	0	0	0	0	0	0	0	0	0	0	0	0	0	0	0	0	0
02:45	1	0	0	0	0	0	0	1	0	0	0	0	0	0	0	0	1	0	0	0	0	0	0	1
03:00	0	0	0	0	0	0	0	0	0	0	0	0	0	0	0	0	0	0	0	0	0	0	0	0
03:15	0	0	0	0	0	0	0	0	0	0	0	0	0	0	0	0	0	0	0	0	0	0	0	0
03:30	1	0	0	0	0	0	0	1	0	0	0	0	0	0	0	0	1	0	0	0	0	0	0	1
03:45	0	0	0	0	0	0	0	0	0	0	0	0	0	0	0	0	0	0	0	0	0	0	0	0
04:00	0	0	0	0	0	0	0	0	0	0	0	0	0	0	0	0	0	0	0	0	0	0	0	0
04:15	0	1	0	0	0	0	0	1	0	0	0	0	0	0	0	0	0	1	0	0	0	0	0	1
04:30	0	0	0	0	0	0	0	0	0	0	0	0	0	0	0	0	0	0	0	0	0	0	0	0
04:45	0	0	0	0	0	0	0	0	0	0	0	0	0	0	0	0	0	0	0	0	0	0	0	0
05:00	0	0	0	0	0	0	0	0	0	0	0	0	0	0	0	0	0	0	0	0	0	0	0	0
05:15	1	0	0	0	0	0	0	1	2	0	0	0	0	0	0	0	3	0	0	0	0	0	0	3
05:30	1	0	0	0	0	0	0	1	0	0	0	0	0	0	0	0	1	0	0	0	0	0	0	1
05:45	1	0	0	0	0	0	0	1	0	0	0	0	0	0	0	0	1	0	0	0	0	0	0	1
06:00	0	0	0	0	0	0	0	0	0	0	0	0	0	0	0	0	0	0	0	0	0	0	0	0
06:15	0	0	0	0	0	0	0	0	1	1	0	0	0	0	0	0	2	1	1	0	0	0	0	3
06:30	0	0	0	0	0	0	0	0	0	0	0	0	0	0	0	0	0	0	0	0	0	0	0	0
06:45	2	1	0	0	0	0	0	3	1	0	0	0	0	0	0	1	2	1	0	0	0	0	1	5
07:00	1	1	0	0	0	0	0	2	3	1	0	0	0	0	0	1	5	4	2	0	0	0	0	7
07:15	2	0	0	0	0	0	0	2	4	3	0	0	0	0	0	1	8	6	3	0	0	0	0	10
07:30	4	1	1	0	0	0	0	7	5	3	0	0	0	0	0	8	9	4	1	0	0	0	1	15
07:45	4	0	0	0	0	0	0	4	3	2	0	0	0	0	0	7	7	2	0	0	0	0	0	10
08:00	10	4	0	0	0	0	0	14	13	1	0	0	0	0	0	14	23	5	0	0	0	0	4	32
08:15	3	1	0	0	0	0	0	4	11	2	0	0	0	0	1	14	14	3	0	0	0	1	0	18
08:30	14	2	1	0	0	0	0	17	16	5	0	0	0	0	0	21	30	7	1	0	0	0	0	38
08:45	23	5	0	0	0	0	0	31	31	1	1	0	0	0	1	44	36	6	1	0	0	0	4	47
09:00	10	1	0	0	0	0	0	11	9	6	1	0	0	0	1	17	19	7	1	0	0	0	1	28
09:15	9	0	0	0	0	0	0	11	12	2	0	0	0	0	0	15	21	2	2	0	0	0	0	26
09:30	7	4	0	0	0	0	0	12	7	5	0	0	0	0	0	12	14	9	0	0	0	1	0	24
09:45	3	0	0	0	0	0	0	3	10	3	0	0	0	0	0	14	13	3	0	0	1	0	0	17
10:00	9	2	0	0	0	0	0	13	11	2	0	0	0	0	1	14	20	4	0	0	0	0	3	27
10:15	6	0	0	0	0	0	0	2	8	13	5	0	0	0	1	19	19	5	0	0	1	0	2	27
10:30	6	2	0	0	0	0	0	8	14	3	3	0	0	0	1	20	20	5	5	3	0	0	2	29
10:45	9	2	0	0	0	0	0	11	8	4	0	0	0	0	1	17	17	6	0	0	1	1	0	25
11:00	11	2	0	0	0	0	0	13	10	4	0	0	0	0	1	17	21	6	0	0	1	0	2	30
11:15	10	3	0	0	0	0	0	13	9	3	0	0	0	0	0	13	19	6	0	0	1	0	0	26
11:30	8	6	0	0	0	0	0	1	15	12	4	1	0	0	1	18	20	10	1	0	1	0	1	33
11:45	8	1	1	0	0	0	0	1	11	12	1	0	0	0	1	14	20	2	1	0	1	1	0	25
12:00	9	2	0	0	0	0	0	1	12	12	3	0	0	0	1	18	21	5	5	0	0	1	2	30
12:15	3	2	0	0	0	0	0	1	6	7	2	0	0	0	1	11	10	4	0	0	1	0	2	17
12:30	6	2	0	0	0	0	0	2	11	7	2	0	0	0	1	10	13	4	0	0	1	1	2	21
12:45	9	2	0	0	0	0	0	2	13	7	5	0	0	0	2	1	16	7	0	0	2	1	3	29
13:00	10	2	0	0	0	0	0	12	7	2	0	0	0	0	0	9	17	4	0	0	0	0	0	21
13:15	8	2	0	0	0	0	0	2	13	15	0	0	0	0	1	17	23	2	0	0	1	1	3	30
13:30	6	0	0	0	0	0	0	1	0	10	0	0	0	0	1	12	16	0	0	0	1	1	0	19
13:45	8	2	0	0	0	0	0	1	12	10	2	0	0	0	1	14	18	4	0	0	1	2	1	26
14:00	13	3	0	0	0	0	0	1	17	11	1	0	0	0	2	14	24	4	0	0	2	0	1	31
14:15	5	2	0	0	0	0	0	1	8	3	2	0	0	0	0	5	8	4	0	0	0	0	1	13
14:30	6	3	0	0	0	0	0	0	9	2	0	0	0	0	0	12	15	5	0	0	1	0	0	21
14:45	12	2	0	0	0	0	0	1	16	15	1	0	0	0	2	20	28	3	0	0	2	2	0	35
15:00	4	2	0	0	0	0	0	2	7	18	1	0	0	0	0	2	22	3	0	0	0	0	1	28
15:15	7	0	0	0	0	0	0	2	9	16	1	0	0	0	1	0	23	1	0	0	1	0	2	27
15:30	13	1	0	0	0	0	0	1	15	9	1	0	0	0	1	12	22	2	0	0	1	0	2	27
15:45	10	0	0	0	0	0	0	2	12	3	0	0	0	0	1	0	22	3	0	0	1	0	2	28
16:00	14	4	0	0	0	0	0	1	19	27	0	0	0	0	1	0	21	4	0	0	1	2	0	48
16:15	12	2	0	0	0	0	0	1	15	17	3	3	0	0	1	1	21	5	5	0	0	1	0	36
16:30	11	0	0	0	0	0	0	1	12	17	1	0	0	0	1	0	22	1	0	0	1	1	3	34
16:45	10	1	0	0	0	0	0	1	2	14	8	3	0	0	1	0	18	4	0	0	1	1	3	27
17:00	14	2	1	0	0	0	0	0	17	9	2	1	0	0	1	0	23	4	2	0	1	0	0	30
17:15	10	0	0	0	0	0	0	1	11	11	1	0	0	0	1	2	21	1	0	0	1	3	2	28
17:30	17	1	0	0	0	0	0	1	19	17	1	0	0	0	2	1	34	2	0	0	2	1	1	40
17:45	13	1	0	0	0	0	0	1	15	18	1	0	0	0	1	1	31	1	1	0	1	1	4	39
18:00	8	0	0	0	0	0	0	1	10	11	1	0	0	0	1	0	19	1						

Intelligent Data Collection Limited

Client: Bath & North East Somerset Council
Project Number: ID07/242
Site Number: Site 6

Dates of Survey: 18.11.2023
Site Name: Brock Street
Survey Type: Multi-day Link Count

Arm A: Upper Church Street (W)
Arm B: The Circus (E)



Time	A to B (Eastbound)						B to A (Westbound)						Two-way Total										
	Cars	LGV	OGV1	OGV2	Buses	M/C	Cars	LGV	OGV1	OGV2	Buses	M/C	Cycle	Total	Cars	LGV	OGV1	OGV2	Buses	M/C	Cycle	Total	
00:00	1	0	0	0	0	0	1	0	0	0	0	0	0	1	1	0	0	0	0	0	0	1	1
00:15	6	0	0	0	0	0	1	0	0	0	0	0	0	1	7	0	0	0	0	0	0	1	8
00:30	4	0	0	0	0	0	0	0	0	0	0	0	0	4	2	0	0	0	0	0	0	0	6
00:45	1	0	0	0	0	0	0	0	0	0	0	0	0	1	0	0	0	0	0	0	0	0	1
01:00	1	0	0	0	0	0	0	0	0	0	0	0	0	1	2	0	0	0	0	0	0	1	3
01:15	1	0	0	0	0	0	0	0	0	0	0	0	0	1	2	0	0	0	0	0	0	1	3
01:30	1	1	0	0	0	0	0	2	2	0	0	0	0	2	3	1	0	0	0	0	0	2	4
01:45	2	0	0	0	0	0	0	2	1	0	0	0	0	1	3	0	0	0	0	0	0	0	3
02:00	0	0	0	0	0	0	0	0	0	0	0	0	0	0	2	0	0	0	0	0	0	0	2
02:15	2	0	0	0	0	0	0	2	0	0	0	0	0	0	2	0	0	0	0	0	0	0	2
02:30	1	0	0	0	0	0	0	1	0	1	0	0	0	0	1	1	0	0	0	0	0	0	2
02:45	1	0	0	0	0	0	0	1	1	0	0	0	0	0	1	2	0	0	0	0	0	0	2
03:00	1	1	0	0	0	0	0	2	0	0	0	0	0	0	1	1	0	0	0	0	0	0	2
03:15	0	0	0	0	0	0	0	0	0	0	0	0	0	0	0	0	0	0	0	0	0	0	0
03:30	0	0	0	0	0	0	0	0	0	0	0	0	0	0	1	3	0	0	0	0	0	1	3
03:45	1	0	0	0	0	0	0	1	1	0	0	0	0	0	1	2	0	0	0	0	0	0	2
04:00	0	0	0	0	0	0	0	0	1	0	0	0	0	0	1	0	0	0	0	0	0	0	1
04:15	1	0	0	0	0	0	0	1	0	0	0	0	0	0	1	0	0	0	0	0	0	0	1
04:30	0	0	0	0	0	0	0	0	0	0	0	0	0	0	0	0	0	0	0	0	0	0	0
04:45	0	0	0	0	0	0	0	0	0	0	0	0	0	0	0	0	0	0	0	0	0	0	0
05:00	0	0	0	0	0	0	0	0	0	0	0	0	0	0	0	0	0	0	0	0	0	0	0
05:15	0	0	0	0	0	0	0	0	0	0	0	0	0	0	0	0	0	0	0	0	0	0	0
05:30	2	0	0	0	0	0	0	2	1	0	0	0	0	0	3	1	0	0	0	0	0	0	4
05:45	0	0	0	0	0	0	0	0	0	0	0	0	0	0	0	0	0	0	0	0	0	0	0
06:00	0	1	0	0	0	0	0	1	1	0	0	0	0	0	1	1	0	0	0	0	0	0	2
06:15	1	1	0	0	0	0	0	1	0	0	0	0	0	0	1	1	0	0	0	0	0	0	1
06:30	0	0	0	0	0	0	0	0	0	0	0	0	0	0	1	0	0	0	0	0	0	0	1
06:45	0	0	0	0	0	0	0	0	0	0	0	0	0	0	2	0	0	0	0	0	0	0	2
07:00	1	1	0	0	0	0	0	2	0	1	0	0	0	0	1	2	0	0	0	0	0	0	3
07:15	1	0	0	0	0	0	0	1	1	1	0	0	0	0	2	1	0	0	0	0	0	0	3
07:30	0	0	0	0	0	0	0	2	2	4	0	0	0	0	4	0	0	0	0	0	0	0	4
07:45	1	0	0	0	0	0	0	1	2	5	1	0	0	0	6	1	0	0	0	0	0	1	7
08:00	1	0	0	0	0	0	0	1	2	1	0	0	0	0	3	3	1	0	0	0	0	0	4
08:15	4	2	0	0	0	0	0	1	7	3	2	0	0	0	5	7	4	0	0	0	0	0	12
08:30	5	0	0	0	0	0	0	5	4	0	0	0	0	0	4	9	0	0	0	0	0	0	9
08:45	7	2	0	0	0	0	0	2	11	7	2	1	0	0	10	14	4	1	0	0	0	0	21
09:00	3	3	0	0	0	0	0	1	8	3	3	0	0	0	6	6	0	0	0	0	0	1	14
09:15	4	0	0	0	0	0	0	2	6	9	3	0	0	0	13	13	3	0	0	0	0	0	19
09:30	5	1	0	0	0	0	0	6	10	1	0	0	0	0	11	15	2	0	0	0	0	0	17
09:45	7	3	0	0	0	0	0	2	12	10	1	0	0	1	14	17	4	0	0	0	1	3	26
10:00	9	1	0	0	0	0	0	10	8	1	0	0	0	0	10	17	2	0	0	1	0	0	20
10:15	7	1	0	0	0	0	0	8	15	1	0	0	0	0	16	22	2	0	0	0	0	0	24
10:30	19	1	0	0	0	0	0	20	14	0	0	0	0	1	20	39	1	0	0	1	0	0	41
10:45	12	0	0	0	0	0	0	13	6	1	0	0	0	0	8	18	1	0	0	1	1	0	21
11:00	6	1	0	0	0	0	0	1	8	5	2	0	0	0	8	11	3	0	0	1	0	0	16
11:15	3	0	0	0	0	0	0	4	10	0	0	0	0	0	11	13	0	0	0	1	1	0	15
11:30	4	0	0	0	0	0	0	5	3	1	0	0	0	0	5	7	1	0	0	1	1	0	10
11:45	6	1	0	0	0	0	0	2	9	8	3	0	0	0	16	14	4	0	0	2	0	0	25
12:00	6	0	0	0	0	0	0	1	7	7	0	0	0	0	13	13	0	0	0	0	0	0	14
12:15	5	0	0	0	0	0	0	1	6	10	0	0	0	0	13	15	0	0	0	1	0	0	19
12:30	9	0	0	0	0	0	0	9	10	0	0	0	0	0	11	19	0	0	0	1	0	0	20
12:45	9	1	0	0	0	0	0	10	10	1	0	0	0	0	13	19	2	0	0	2	0	0	23
13:00	8	1	0	0	0	0	0	10	12	2	0	0	0	0	15	20	3	0	0	0	2	0	25
13:15	5	0	0	0	0	0	0	2	7	12	1	0	0	0	14	17	1	0	0	0	3	0	21
13:30	6	0	0	0	0	0	0	1	12	12	0	0	0	0	18	18	0	0	0	2	2	0	25
13:45	7	0	0	0	0	0	0	1	8	17	1	0	0	0	1	20	4	1	0	0	1	0	28
14:00	6	0	0	0	0	0	0	7	12	0	0	0	0	0	13	18	0	0	0	0	0	0	20
14:15	10	2	0	0	0	0	0	2	14	14	0	0	0	0	16	24	2	0	0	2	0	0	30
14:30	8	0	0	0	0	0	0	8	12	0	0	0	0	0	15	20	0	0	0	0	0	0	23
14:45	9	0	0	0	0	0	0	9	14	1	0	0	0	0	15	23	1	0	0	0	0	0	24
15:00	7	0	0	0	0	0	0	1	8	12	0	0	0	0	14	19	0	0	0	2	0	0	22
15:15	7	0	0	0	0	0	0	2	9	14	2	0	0	0	17	21	2	0	0	0	3	0	26
15:30	9	0	0	0	0	0	0	2	11	10	0	0	0	0	12	19	0	0	0	1	0	0	23
15:45	7	1	0	0	0	0	0	8	6	0	0	0	0	0	8	13	1	0	0	1	0	0	16
16:00	13	0	0	0	0	0	0	1	14	11	0	0	0	0	13	24	0	0	0	1	0	0	27
16:15	16	1	0	0	0	0	0	7	12	1	0	0	0	0	16	18	2	0	0	2	0	0	23
16:30	9	0	0	0	0	0	0	1	10	11	0	0	0	0	11	20	0	0	0	0	0	0	21
16:45	17	0	0	0	0	0	0	2	19	12	0	0	0	0	13	29	0	0	0	1	2	0	32
17:00	4	0	0	0	0	0	0	1	5	5	1	0	0	0	8	9	1	0	0	2	0	0	13
17:15	8	0	0	0	0	0	0	1	9	15	0	0	0	0	17	23	0	0	0	0	0	0	26
17:30	8	0	0	0	0	0	0	1	9	14	0	0	0	0	19	22	0	0	0	0	1	0	28
17:45	7	0	0	0	0	0	0	1	8	7	0	0	0	0	13	13	0	0	0	2	0	0	15
18:00	2	1	0	0	0	0	0	0	3	9	1	0	0	0	11	11	2	0	0	0	0	0	14
18:15	7	0	0	0	0	0	0	2	1	10	8	0	0	0	1	15	0	0	0	0	3	0	21
18:30	7	0	0	0	0	0	0	3	10	8	1	0	0	0	10	15	1	0	0	0	4	0	20
18:45	10	0	0	0	0	0	0	1	11	7	0	0	0	0	7	17	0	0	0	0			

Intelligent Data Collection Limited

Client: Bath & North East Somerset Council
Project Number: ID07/242
Site Number: Site 6

Dates of Survey: 19.11.2023
Site Name: Brock Street
Survey Type: Multi-day Link Count

Arm A: Upper Church Street (W)
Arm B: The Circus (E)



Time	A to B (Eastbound)							B to A (Westbound)							Two-way Total									
	Cars	LGV	OGV1	OGV2	Buses	M/C	Cycle	Total	Cars	LGV	OGV1	OGV2	Buses	M/C	Cycle	Total	Cars	LGV	OGV1	OGV2	Buses	M/C	Cycle	Total
00:00	1	0	0	0	0	0	0	1	1	0	0	0	0	0	0	1	2	0	0	0	0	0	0	2
00:15	0	1	0	0	0	0	0	1	1	1	0	0	0	0	0	2	1	2	0	0	0	0	0	3
00:30	4	0	0	0	0	0	0	4	3	0	0	0	0	0	0	3	7	0	0	0	0	0	0	7
00:45	4	0	0	0	0	0	0	4	0	0	0	0	0	0	0	0	4	0	0	0	0	0	0	4
01:00	3	0	0	0	0	0	0	3	3	0	0	0	0	0	0	3	6	0	0	0	0	0	0	6
01:15	2	0	0	0	0	0	0	2	2	0	0	0	0	0	1	4	4	0	0	0	0	1	1	6
01:30	3	0	0	0	0	0	0	3	2	0	0	0	0	0	0	2	5	0	0	0	0	0	0	5
01:45	1	0	0	0	0	0	0	1	0	0	0	0	0	0	0	1	1	0	0	0	0	0	0	1
02:00	3	0	0	0	0	0	0	3	0	0	0	0	0	0	0	0	3	0	0	0	0	0	0	3
02:15	0	0	0	0	0	0	0	0	1	0	0	0	0	0	0	1	1	0	0	0	0	0	0	1
02:30	1	0	0	0	0	0	0	1	0	0	0	0	0	0	0	0	1	0	0	0	0	0	0	1
02:45	0	0	0	0	0	0	0	0	1	0	0	0	0	0	0	1	1	0	0	0	0	0	0	1
03:00	0	0	0	0	0	0	0	0	0	0	0	0	0	0	0	0	0	0	0	0	0	0	0	0
03:15	0	0	0	0	0	0	0	0	0	0	0	0	0	0	0	0	0	0	0	0	0	0	0	0
03:30	0	0	0	0	0	0	0	0	0	0	0	0	0	0	0	0	0	0	0	0	0	0	0	0
03:45	0	0	0	0	0	0	0	0	0	0	0	0	0	0	0	0	0	0	0	0	0	0	0	0
04:00	0	0	0	0	0	0	0	0	0	0	0	0	0	0	0	0	0	0	0	0	0	0	0	0
04:15	1	0	0	0	0	0	0	1	1	0	0	0	0	0	0	1	2	0	0	0	0	0	0	2
04:30	1	0	0	0	0	0	0	1	0	0	0	0	0	0	0	0	1	0	0	0	0	0	0	1
04:45	0	0	0	0	0	0	0	0	0	0	0	0	0	0	0	0	0	0	0	0	0	0	0	0
05:00	0	0	0	0	0	0	0	0	1	0	0	0	0	0	0	1	1	0	0	0	0	0	0	1
05:15	1	0	0	0	0	0	0	1	0	0	0	0	0	0	0	0	1	0	0	0	0	0	0	1
05:30	1	0	0	0	0	0	0	1	1	0	0	0	0	0	0	1	2	0	0	0	0	0	0	2
05:45	0	0	0	0	0	0	0	0	1	0	0	0	0	0	0	1	1	0	0	0	0	0	0	1
06:00	0	0	0	0	0	0	0	0	1	0	0	0	0	0	0	1	1	0	0	0	0	0	0	1
06:15	0	0	0	0	0	0	0	0	0	0	0	0	0	0	0	0	0	0	0	0	0	0	0	0
06:30	0	0	0	0	0	0	0	0	0	0	0	0	0	0	0	0	0	0	0	0	0	0	0	0
06:45	0	0	0	0	0	0	0	0	1	0	0	0	0	0	0	1	1	0	0	0	0	0	0	1
07:00	0	0	0	0	0	0	0	0	0	0	0	0	0	0	0	0	0	0	0	0	0	0	0	0
07:15	1	0	0	0	0	0	0	1	0	0	0	0	0	0	0	0	1	0	0	0	0	0	0	1
07:30	0	0	0	0	0	0	0	0	3	0	0	0	0	0	0	3	3	0	0	0	0	0	0	3
07:45	3	0	0	0	0	0	0	3	0	0	0	0	0	0	0	0	3	0	0	0	0	0	0	3
08:00	5	0	0	0	0	0	0	5	1	0	0	0	0	0	0	6	6	0	0	0	0	0	0	6
08:15	2	0	0	0	0	0	0	2	3	1	0	0	0	0	0	6	5	1	0	0	0	0	0	6
08:30	2	0	0	0	0	0	0	2	3	2	0	0	0	0	0	7	4	0	0	0	0	0	0	7
08:45	2	1	0	0	0	0	0	3	5	0	0	0	0	0	0	8	7	1	0	0	0	0	0	8
09:00	1	0	0	0	0	0	0	1	2	0	0	0	0	0	0	3	7	1	0	0	0	0	0	8
09:15	5	0	0	0	0	0	0	5	6	0	0	0	0	0	0	11	11	0	0	0	0	0	0	11
09:30	4	0	0	0	0	0	0	4	1	0	0	0	0	0	1	5	5	0	0	0	0	0	0	5
09:45	5	0	0	0	0	0	0	5	7	0	0	0	0	0	1	12	11	0	0	0	1	0	0	12
10:00	4	0	0	0	0	0	0	4	8	2	0	0	0	0	0	14	12	2	0	0	0	0	0	14
10:15	6	0	0	0	0	0	0	6	6	1	0	0	0	0	0	13	12	1	0	0	1	0	0	13
10:30	9	0	0	0	0	0	0	9	6	0	0	0	0	0	0	15	15	0	0	0	1	0	0	16
10:45	7	1	0	0	0	0	0	8	6	1	0	0	0	0	1	15	13	2	0	0	1	0	0	16
11:00	11	0	0	0	0	0	0	11	16	0	0	0	0	0	0	27	27	0	0	0	1	0	0	28
11:15	8	0	0	0	0	0	0	8	9	0	0	0	0	0	1	17	17	0	0	0	1	0	0	18
11:30	12	0	0	0	0	0	0	12	8	0	0	0	0	0	0	20	20	0	0	0	2	0	0	22
11:45	5	0	0	0	0	0	0	5	9	0	0	0	0	0	0	14	14	0	0	0	1	0	0	15
12:00	6	0	0	0	0	0	0	6	9	1	0	0	0	0	0	15	15	1	0	0	1	0	0	17
12:15	6	2	0	0	0	0	0	8	11	0	0	0	0	0	1	19	17	2	0	0	0	0	0	19
12:30	8	0	0	0	0	0	0	8	8	2	0	0	0	0	0	18	16	2	0	0	2	0	0	20
12:45	10	1	0	0	0	0	0	11	12	0	0	0	0	0	0	23	22	1	0	0	1	0	0	24
13:00	6	1	0	0	0	0	0	7	14	1	0	0	0	0	0	22	20	2	0	0	1	0	0	23
13:15	2	0	0	0	0	0	0	2	3	0	0	0	0	0	0	5	11	0	0	0	0	0	0	11
13:30	4	0	0	0	0	0	0	4	8	1	0	0	0	0	0	13	12	1	0	0	2	0	0	15
13:45	5	1	0	0	0	0	0	6	7	0	0	0	0	0	1	14	13	1	0	0	1	0	0	15
14:00	9	0	0	0	0	0	0	9	3	0	0	0	0	0	0	12	12	0	0	0	1	0	0	13
14:15	5	0	0	0	0	0	0	5	10	1	0	0	0	0	0	16	15	1	0	0	0	0	0	16
14:30	9	1	0	0	0	0	0	10	8	1	0	0	0	0	0	19	17	2	0	0	2	1	0	22
14:45	6	0	0	0	0	0	0	6	4	0	0	0	0	0	0	10	10	0	0	0	1	0	0	11
15:00	11	0	0	0	0	0	0	11	12	0	0	0	0	0	0	23	23	0	0	0	1	0	0	24
15:15	5	0	0	0	0	0	0	5	10	0	0	0	0	0	0	15	15	0	0	0	0	0	0	15
15:30	9	0	0	0	0	0	0	9	10	1	0	0	0	0	0	20	19	1	0	0	1	0	0	21
15:45	8	0	0	0	0	0	0	8	11	1	0	0	0	0	0	20	19	1	0	0	1	0	0	21
16:00	9	0	0	0	0	0	0	9	10	1	0	0	0	0	0	20	18	1	0	0	1	0	0	20
16:15	3	0	0	0	0	0	0	3	6	1	0	0	0	0	0	10	9	1	0	0	2	0	0	12
16:30	7	1	0	0	0	0	0	8	10	0	0	0	0	0	0	17	17	0	0	0	1	0	0	18
16:45	9	0	0	0	0	0	0	9	13	0	0	0	0	0	0	22	22	0	0	0	2	1	0	25
17:00	6	0	0	0	0	0	0	6	9	0	0	0	0	0	0	15	15	0	0	0	2	0	0	17
17:15	8	0	0	0	0	0	0	8	6	0	0	0	0	0	0	14	14	0	0	0	0	0	0	14
17:30	4	0	0	0	0	0	0	4	8	0	0	0	0	0	0	12	12	0	0	0	2	1	0	15
17:45	5	0	0	0	0	0	0	5	7	0	0	0	0	0	0	12	12	0	0	0	1	0	0	13
18:00	5	1	0	0	0	0	0	6	5	0	0	0	0	0	0	11	10	1	0	0	0	0	0	11
18:15	3	0																						

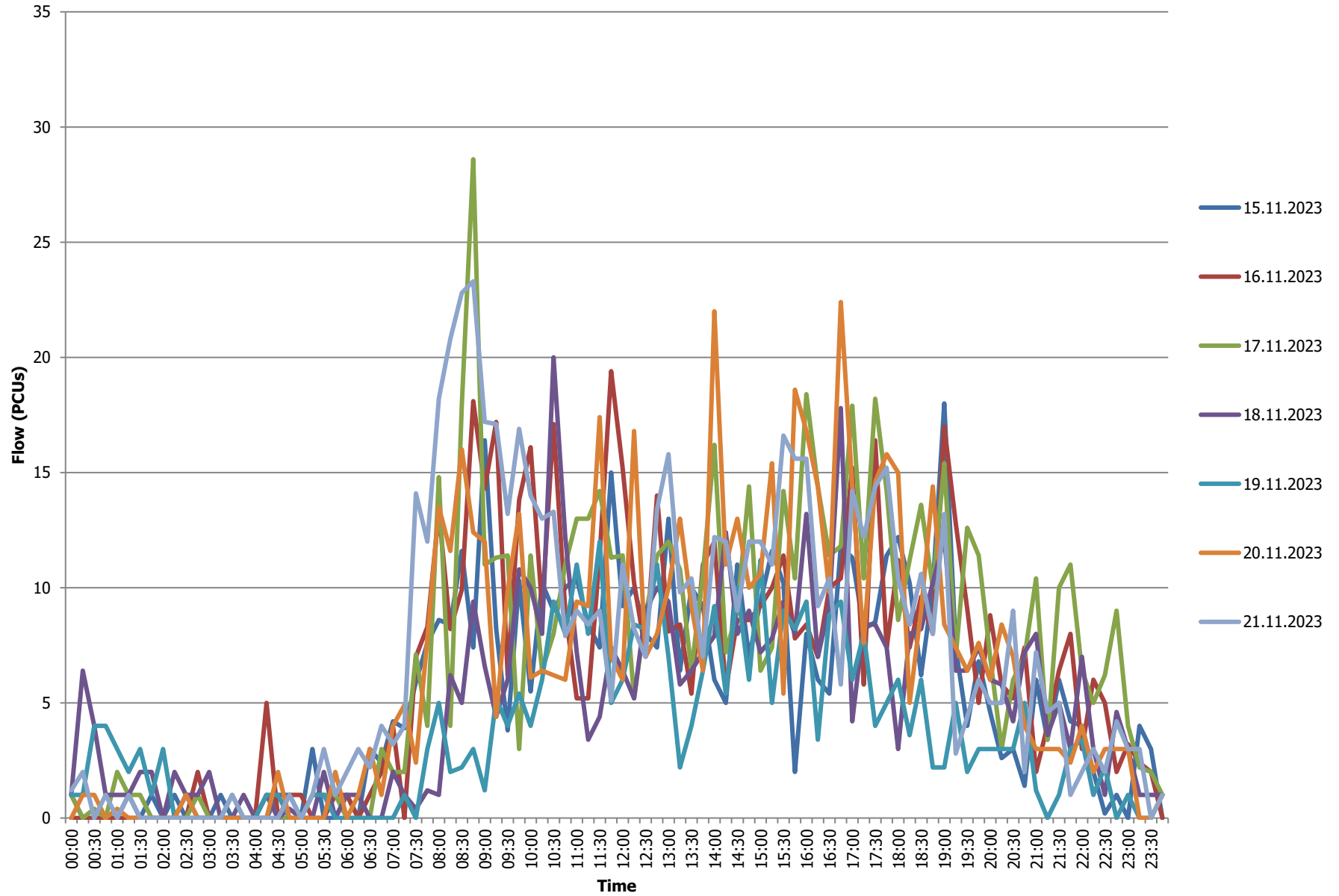
Intelligent Data Collection Limited



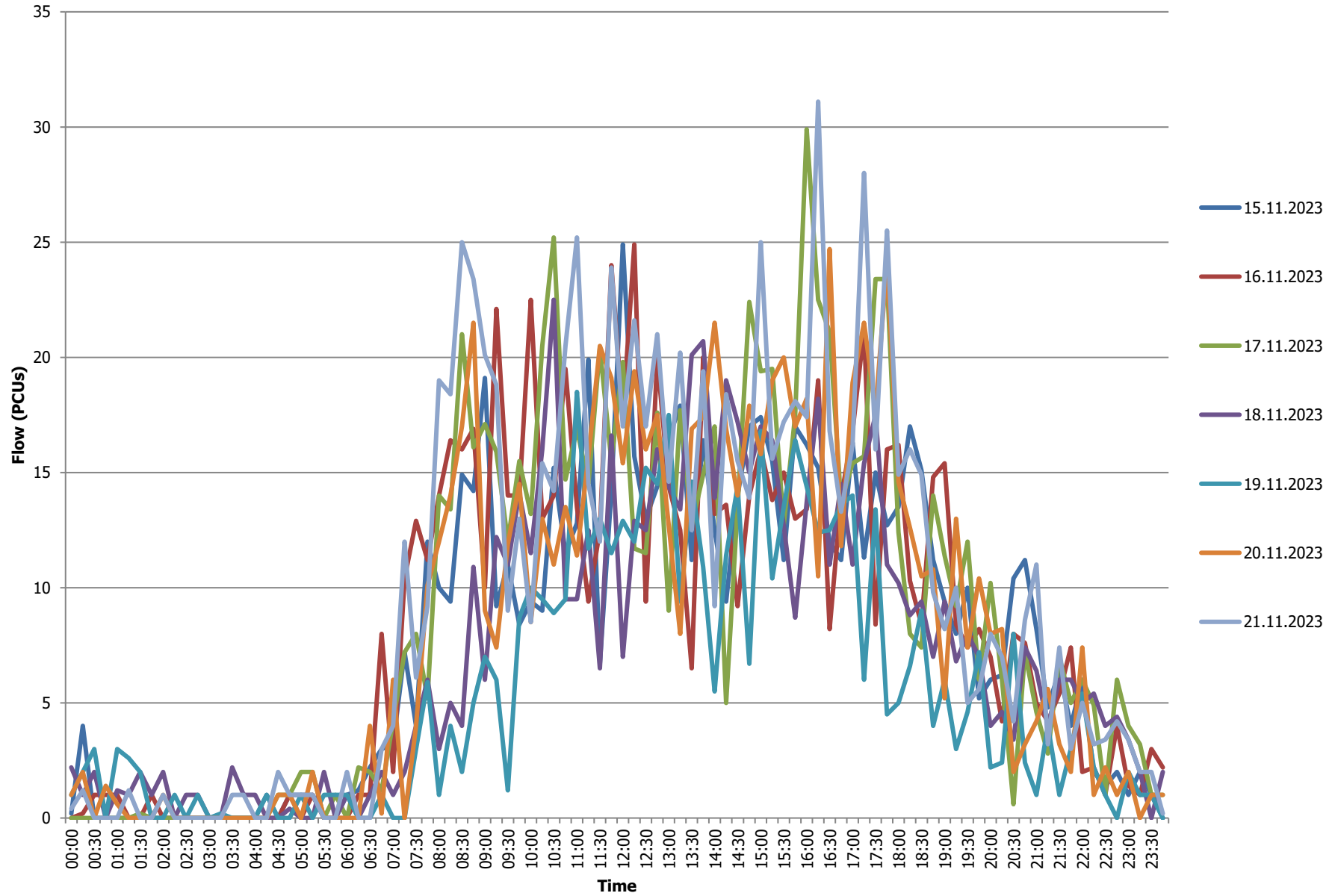
Client: Bath & North East Somerset Council Dates of Survey: 21.11.2023
 Project Number: ID07/242 Site Name: Brock Street
 Site Number: Site 6 Survey Type: Multi-day Link Count
 Arm A: Upper Church Street (W) Arm B: The Circus (E)

Time	A to B (Eastbound)						B to A (Westbound)						Two-way Total								
	Cars	LGV	OGV1	OGV2	Buses	M/C	Cars	LGV	OGV1	OGV2	Buses	M/C	Cycle	Total	Cars	LGV	OGV1	OGV2	Buses	M/C	Cycle

Eastbound Flow Summary



Westbound Flow Summary



Intelligent Data Collection Limited



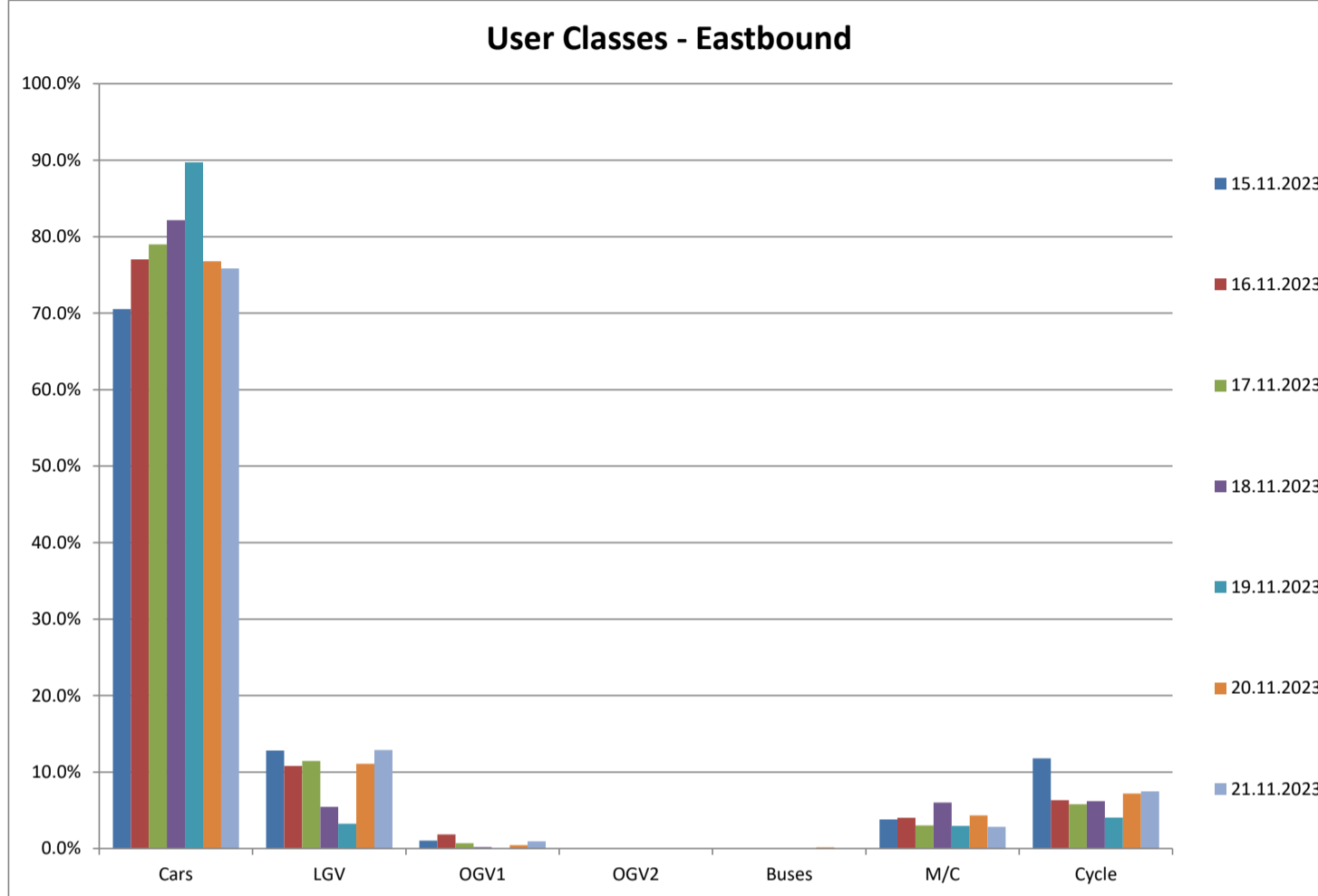
Client: Bath & North East Somerset Coun **Dates of Survey:** 15.11.2023-21.11.2023
Project Number: ID07242 **Site Name:** Brock Street
Site Number: Site 6 **Survey Type:** Multi-day Link Count

User Class Proportions By Day

Eastbound

	Cars	LGV	OGV1	OGV2	Buses	M/C	Cycle
15.11.2023	70.5%	12.8%	1.0%	0.0%	0.0%	3.8%	11.8%
16.11.2023	77.0%	10.8%	1.8%	0.0%	0.0%	4.0%	6.3%
17.11.2023	79.0%	11.5%	0.7%	0.0%	0.0%	3.0%	5.8%
18.11.2023	82.2%	5.4%	0.2%	0.0%	0.0%	6.0%	6.2%
19.11.2023	89.7%	3.2%	0.0%	0.0%	0.0%	3.0%	4.1%
20.11.2023	76.8%	11.1%	0.4%	0.0%	0.1%	4.3%	7.2%
21.11.2023	75.8%	12.9%	0.9%	0.0%	0.0%	2.8%	7.5%

Please note: Weekend days will likely have lower proportions of LGVs and OGVs



Westbound

	Cars	LGV	OGV1	OGV2	Buses	M/C	Cycle
15.11.2023	76.8%	10.6%	1.4%	0.0%	4.7%	1.5%	5.1%
16.11.2023	73.6%	13.4%	1.4%	0.0%	4.2%	2.3%	5.3%
17.11.2023	75.3%	12.7%	1.3%	0.0%	3.9%	1.8%	5.1%
18.11.2023	81.3%	6.2%	0.4%	0.0%	4.9%	2.8%	4.3%
19.11.2023	81.0%	3.5%	0.8%	0.0%	6.5%	3.5%	4.7%
20.11.2023	74.6%	12.0%	1.5%	0.0%	4.3%	2.4%	5.2%
21.11.2023	75.2%	12.9%	0.9%	0.0%	3.6%	1.7%	5.7%

Please note: Weekend days will likely have lower proportions of LGVs and OGVs

